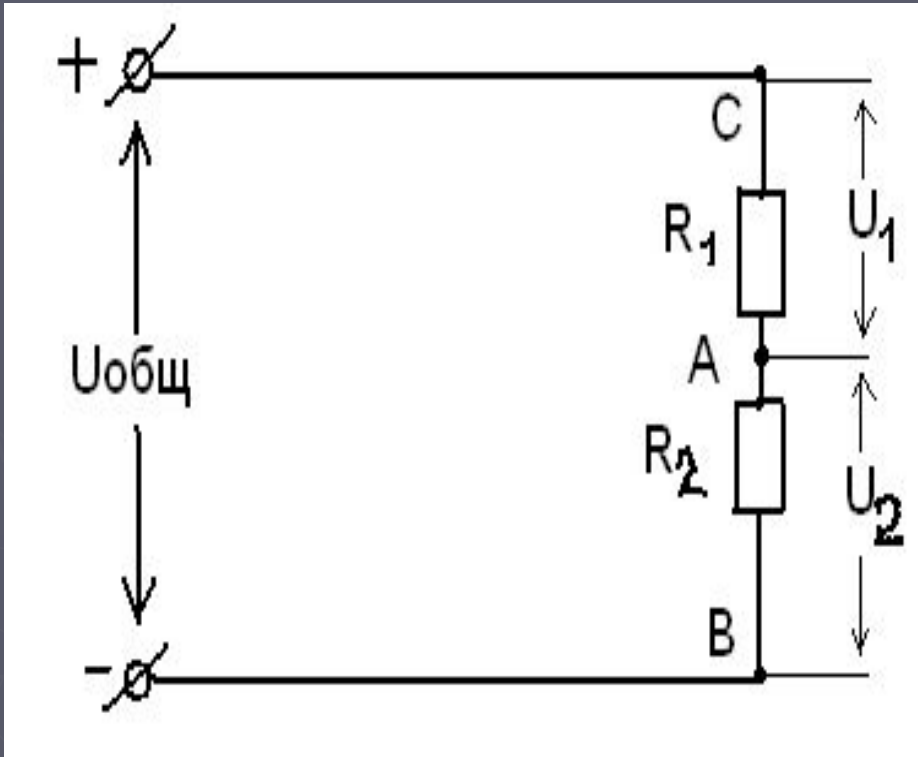


Делитель напряжения



$$U_1 = IR_1;$$

$$U_2 = IR_2;$$

Если $R_1 = R_2$, то

$$U_1 = U_2.$$

$$U_2 + U_1 = U_{\text{общ}}.$$

$$U_2 = U_{AB} = U_{\text{общ}}/2 \quad (1)$$